

Product Features

- Continuous loop-powered 4-20 mA operation
- Remote DIN Rail mounted transmitter, up to 1000 ft away
- Hermetically sealed, vibration resistant construction
- NPT threads standard, others available
- Internal probe PFA clad or bare stainless steel 316
- Cable extension or M12 connector
- Accuracy 1% of span for same dielectric

Description

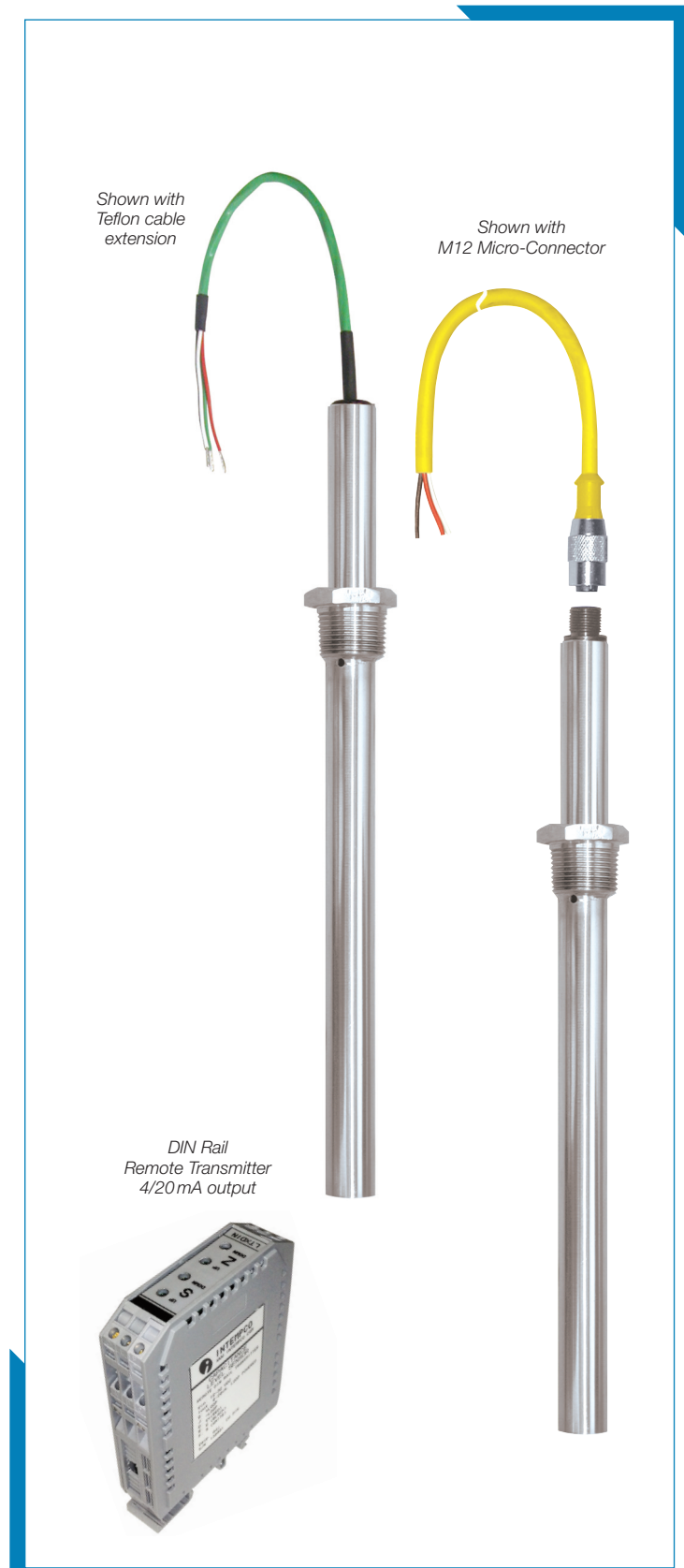
The Intempco model LTX60 capacitance level transmitters are very compact and vibration resistant. They feature one-piece welded tubular design, welded fitting and a concentric internal bare stainless steel or PFA clad probe. Electronics are potted into the tube portion above the fitting.

DIN Rail mounted transmitter can be installed up to a 1000 feet away from the process where calibration can be performed. The microprocessor-based electronics convert frequency change, detected by the probe, into a linear, highly accurate 4-20 mA signal. This compact design makes installation and setup a simple task. The advanced signal conditioning circuitry greatly minimizes the adverse affects of poor dielectric and material coating on the probe.

LTX60 RF transmitters can be used in metallic and non-metallic tanks, stationary or mobile equipment. Ideal for small tanks of all types, they can be used in virtually any liquid, conductive or non-conductive. One ideal application is measurement of fuel and oil level of tanks in mobile equipment. Compact, rugged and hermetically sealed construction of LTX60 series sensors cannot be beat in performance.

Application / Process Notes

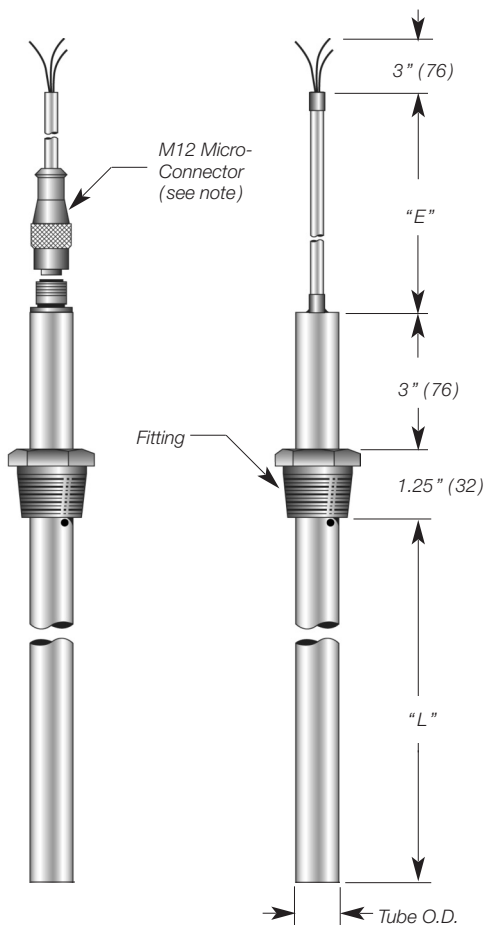
- Diesel fuels, other fuels and oils in metallic or non-metallic tanks
- Water based liquids in metallic or non-metallic tanks
- Acids compatible with Stainless 316 and PFA Teflon in metallic or non-metallic tanks
- MEK and other solvents
- Ethanol and methanols
- Chemical holding tanks, metallic or non-metallic
- Measurement of liquid levels in mobile equipment
- On-site calibration may be required
- Not recommended where material dielectric varies due to change of temperature or pressure



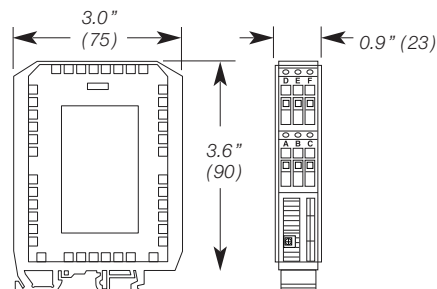
- Ideal for Fuel and Oil level measurement •
- Ideal for all water based liquids in compact tanks •

Model LTX60

Miniature Capacitance Level Transmitter
4-20 mA, Loop Powered



DIN Rail Remote Transmitter



Electrical Specifications

- Supply Voltage :** 12 VDC-30 VDC
- Output :** 4-20 mA, loop powered
- Maximum Loop Res.:** $[V_s - 10] / 0.02$ (i.e. $700\Omega @ 24\text{VDC}$)
- Calibration :** Via 4 push-button switches non-interactive Zero and Span
- Capacitance Range :** 10 pF to 10000 pF
- Accuracy :** $\pm 1\%$ of full span (constant dielectric)
- Repeatability :** $\pm 0.1\%$ of span
- Damping Adjust :** 0-30 sec.
- Ambient Temperature :** -40 to 70°C (-40 to 158°F)
- Electrical Termination :** Cable or M12 Micro-Connector std., others available

Mechanical Specifications

- Wetted Materials :** Stainless steel 316 and PFA Teflon®
- Probe Housing :** Stainless 316, dia. dependent on fitting size
- Mounting Thread :** Fitting 316SS, welded to housing, 200°C max (392°F)
- Process Temperature:** 100 psi (7 bar) @ 25°C (77°F)
50 psi (3.5 bar) @ 100°C (212°F)
14.5 psi (1 bar) @ 200°C (392°F)
- Pressure Limits:** PFA Teflon jacketed, or bare SS316

Custom Builder

MODEL 1 2 3 4 5 6 7

LTX60 - - - - - - -

BOX1 CODE	Output
DN	4-20mA, Loop Powered Remote DIN Rail Module

BOX2 CODE	Extension
PV	PVC Insulation, 90°C (195°F) max.
TF	Teflon® Insulation, 200°C (392°F) max.
TA	Teflon® w/SS Armor, 200°C (392°F) max.
TS	Teflon® w/SS Overbraid, 200°C (392°F) max.
MC	M12 Micro-Connector 5 pin male

BOX3 CODE	Extension Cable Length "E" (MC Option)
N	None
A2	Straight, 2 meters
A5	Straight, 5 meters
B2	Right angle, 2 meters
B5	Right angle, 5 meters
Extension Cable Length "E" (Cable option)	
---	In feet Ex.: 060 = 60 ft long (max. 999ft)

BOX4 CODE	Fitting Type
F14S	1/4" NPT, SS316 male
F38S	3/8" NPT, SS316 male
F12S	1/2" NPT, SS316 male
F34S	3/4" NPT, SS316 male

BOX5 CODE	Probe Material
A	PFA Teflon clad (for conductive & non-conductive liquids)
B	Stainless Steel 316 (for non-conductive liquids)

BOX6 CODE	Probe Length "L"
---	In 0.1 inch increments (36" max.) Ex.: 080 = 8.0" long

BOX7 CODE	Options
N	None

Other fittings available. Consult factory.