

Transmitters from S-Products

Palmer Wahl's product line now includes an extensive range of reliable and accurate 4-20mA head mounted transmitters - easy to program, and guaranteed for 5 years



Model MP82710 and MP 82710H Transmitter shown with and without clip-on display unit.

The MP82710 microprocessor based model is one of the smallest most advanced 2 wire transmitters in the industry. It is available with or without Hart Protocol and ATEX approved Intrinsically Safe. The MP82710 transmitters can also be provided with the MP 82 Display unit that is simply clicked onto the top of the transmitter. Housings in aluminium and stainless steel with glass top windows can be provided.

Thermocouple and RTD's can be supplied with sensors manufactured for any application by Palmer Wahl and may be provided with all the necessary European and American connection heads, spring loaded mounting plates and process connection parts.

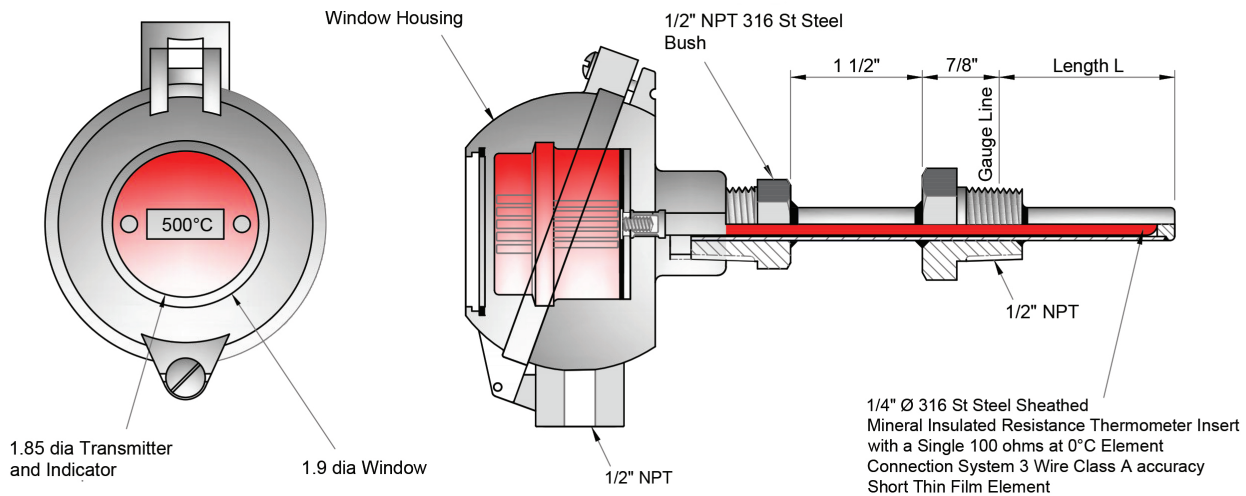
Numerous alternatives are available including Rail, Rack and Wall mounted Transmitters, certain Rack models are also available with built in indicators. Miniature and Economical Head Mounted Transmitters are available along with private labeling.

Palmer Wahl is the exclusive North American Stockist / Distributor for the full range of S-Products BV Transmitters, designed and manufactured in the Netherlands. These reliable products have been sold and used in 1000's Applications to 100's of clients in the USA for more than 25 years. S-Products was the first transmitter manufacturers to guarantee their transmitters for 5 years.

All the microprocessor based models have a top connection port that is easily accessible and can be easily programmed for use with Resistance Thermometers and Thermocouples in less than one minute with the S-Products SPI-Mp8 Interface unit and software stick.



Aluminium Flip Top Housing with 1/2 inch NPT Cable and Process Threads. Optional Housing available in Stainless Steel.



Wahl offers In-Head transmitters including universal, programmable, and fully HART compatible models. Call for more information.

Typical example above of a custom engineered low cost Spring loaded Resistance Thermometer with Transmitter, Indicator, and Thermowell Assembly



RTD & Thermocouple Sensor Assemblies

Thermocouple & RTD Sensors are engineered for quality and reliability

Wahl Thermocouples and RTD's are precise temperature measuring sensors engineered to provide the highest quality and reliability. You can configure these RTD and Thermocouple systems and components to fit most industrial applications.



Wahl Customized Design Service designs for your application, and to minimize unplanned downtime.

Wahl Sensors Feature

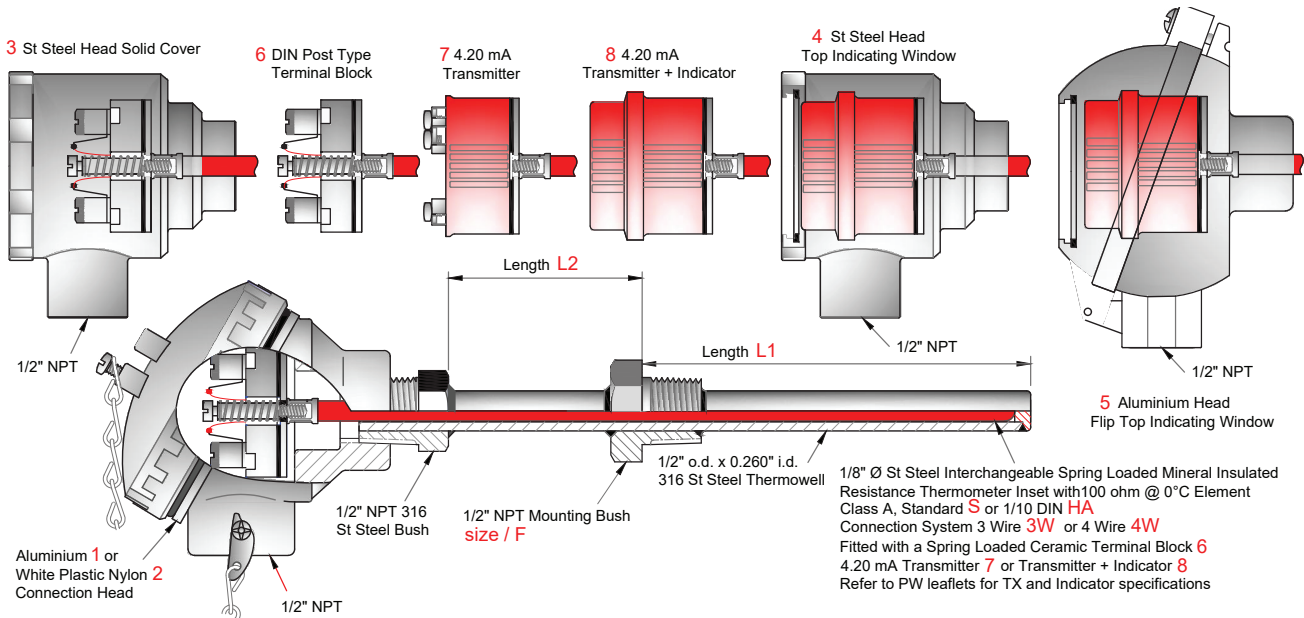
- Fast Response
- High Accuracy
- Internal Spring Loading
- Replaceable End Tips
- High Temperature Operation

Palmer Wahl Quality Assurance Includes

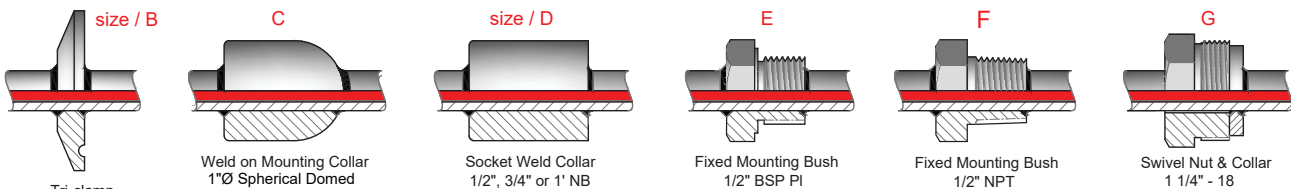
- NIST Traceable Calibration
- USDA Approved
- ATEX & FM Approvals
- Material Certification
- Full QA Manuals
- Pressure Testing
- Radiography
- Ultrasonics
- Nace Certification
- Hardness Testing
- Heat Treatment
- Welders Qualifications
- Thermowell Stress Calculation

Components For Production of Temperature Products

- Mineral Insulated Metal Sheathed Cables with Nickel & Copper Conductors for Resistance Thermometers
- T/C Compensating & Extension Cables
- Connection Heads
- Terminal Blocks
- Pressure Entry & Cable Glands
- Plugs & Sockets & Panels



To Order Specify - PW.2018 / Head Type 6,7 or 8 / Mounting & size / L1 / L2 / S or HA / 3 or 4 Wire / TX Range / Fixed Point Calibration, if required



All Mountings 316 St Steel . specify code / size

PALMER WAHL Style PW.2018

234 Old Weaverville Road • Asheville • North Carolina • 28804
 Phone: (828) 658-3131 • Toll Free (800) 421-2853 • Email: info@palmerwahl.com
 www.palmerwahl.com