

Technical Data

BiRotor Plus Single Case

SB25X 2" ANSI(DN50)



General

The Single Case BiRotor Plus is an extremely accurate single cased flow measuring device designed primarily for, but not limited to, ethanol blending. It produces a high resolution signal which is directly proportional to the rate of liquid flow through the meter utilizing non-wetted pick-offs. These signals can be shaped by a simple internal pre-amplifier for transmission to ancillary equipment.

Accuracy

The BiRotor Plus meter is the most accurate PD meter in the market. A linearity of +/- 0.075% with a repeatability of 0.02% are better than any other meter in the industry.

Dependability

There is no metal to metal contact between the rotors and the measurement chamber. The meter is therefore extremely durable. The rotors, bearings and timing gears are the only moving parts. Maintenance requirements are the lowest in the industry.

Affordability

No premium for superior performance. Brodie offers the BiRotor Plus at a very competitive price.

Flexibility

The BiRotor plus meter can be installed either vertically or horizontally. It offers direct pulse output. And it is field proven in thousands of installations.

Linearity

SB25X Standard Rotors
+/- 0.15% Over Standard Flow Range
+/- 0.30% Over Extended Flow Range

Repeatability

(All Sizes):
0.02% std. Rotors

Viscosity Range

Standard: 0.2 - 5 cSt

Operating Temperature

STD: -40°F to 167°F (-40°C to 75°C)
High: 14°F to 230°F (-10°C to 110°C)

Flow Ranges

MODEL		GPM		BPH		l/min		m3/h		Nominal K-Factor +/-10%
		min	max	min	max	min	max	min	max	
SB25X	standard	30	150	43	214	114	568	6.8	34	950 PUL/GAL 250 PUL/L
	extended	7.9	150	11.3	214	30	568	1.8	34	

Max Working Pressure [at 100 F, 38 C]

Flange Ratings	PSI	bar
ANSI 150#	275	19
ANSI 300#	720	50
DIN PN 16	196	13.5
DIN PN 40	490	33.8

To convert pressure drop value to the actual process fluid, use the following equation:

$\Delta PA = (cPA)^{0.25} * (SGA)^{0.75} * \Delta Pm$
 Delta PA = Pressure Drop on Actual Fluid in PSI
 cPA = Viscosity of Actual Fluid in cP
 SGA = Density of Actual Fluid in SG
 Delta Pm = Pressure Drop on Mineral Spirits
 (See Graphs below for Reference)

Shipping weights

Model	Size	Unit	Weight
SB25X	2" ANSI 150# DN50 PN16	lb	75
		kg	34
	2" ANSI 300# DN50 PN 40	lb	76
		kg	36

Approvals

Environmental

- NEMA 4X
- Type 4X
- IP 65
- OIML R117-1 Class H3

Electromagnetic Emissions & Immunity

- EMC Industrial (EN 61326) CE, European Union
- OIML R117-1 Class E2
- FCC 47 CFR Part 15
- ICES-003, Issue 4

Weights and Measures

- NTEP
- OIML R117-1 (Pending)
- The Peoples Republic of China
- Measurement Canada
- MID Cetified as a component for use with in a measuring system as agreed within WELMEC

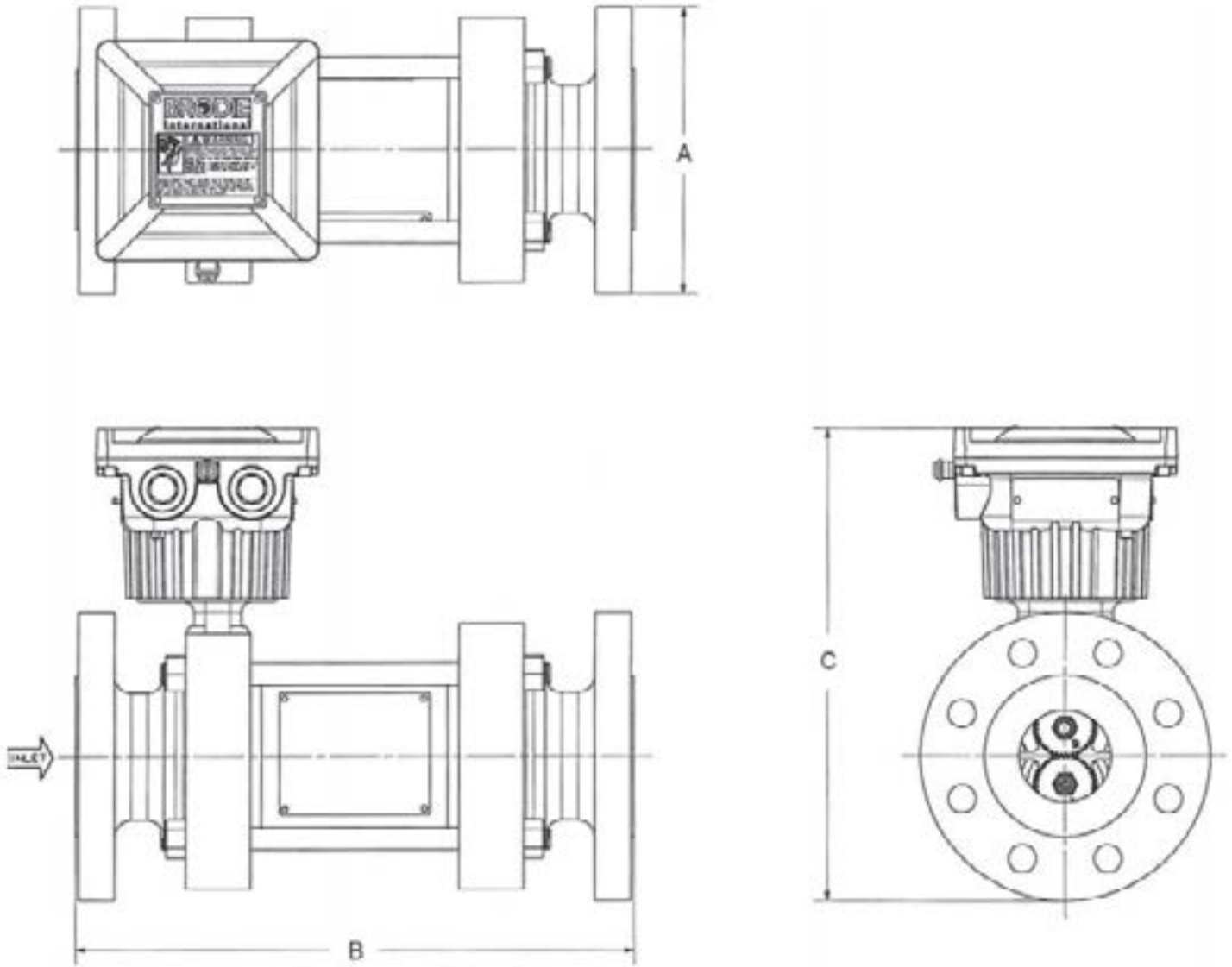
Hazardous Area

- Temp Ambient. -40 to 60°C, -40 to 140°F
- Class 1, Division 1, Group C, and D (Listed for United States and Canada) CSA 221162
- ATEX
- CE 0359 II 2 G Ex d IIB T6...T4
- Certificate: ITS 08 ATEX 15842X
- IEC Ex
- Ex d IIB T6 - T4
- Certificate: IECEX ITS 08.0021X

Pressure Equipment

- Under the EU Pressure Equipment Directive 97/23/EC
- Rated as SEP for all ANSI and DIN versions
- Canadian Registration: All Provinces (150# Only)

Dimensions



Model	Unit	A	B	C
SB251	inch	6	12 9/16	10 5/8
	mm	152	319	270
SB254	inch	6 1/2	12 9/16	10 7/8
	mm	165	319	276

Materials Housing

Meter Housing: ASTM A351 GR CF8M
(316 Stainless Steel)

Materials Measuring Unit

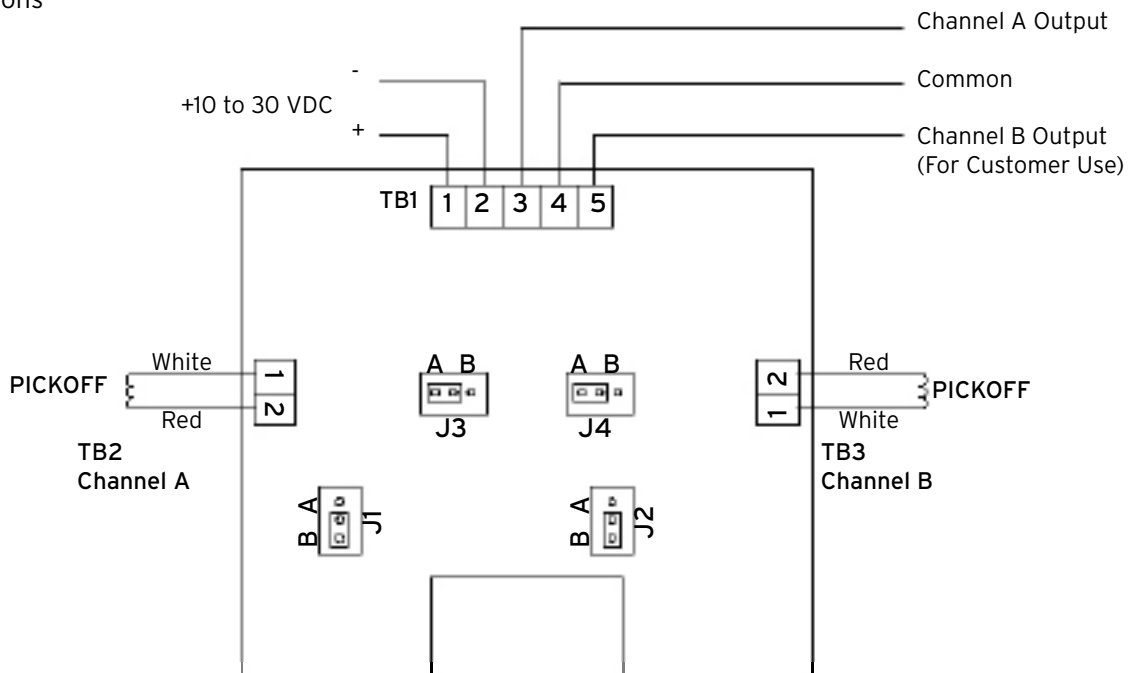
End plates and body: A 351 GR CF8M (316 Stainless Steel)
 Rotors/ Rotor shafts: Aluminum Rotor, Anodized
 17-4 PH Stainless Steel Shaft
 Timing gears: 416 Stainless Steel
 Bearings: Stainless Steel/Ceramic
 Elastomers: Viton A®, Viton F®, or
 Fluoro Silicon are standard
 (other options available)
 UMB Housing: A356 T6 Cast Aluminium [non wetted
 component]

Preamplifier

Supply voltage: 9 to 28 VDC
 Outputs (jumper selectable): square wave 0 to 5 KHz
 5 V powered pulse: 0 - 5 VDC, 20 mA max

Variable voltage pulses: 0 to supply voltage less 5%
 70 mA max
 Open Collector: Max voltage: 30 VDC
 Max current: 125 mA
 Max power: 0.5 W

Wiring Connections



Brodie International

P.O. Box 450 (30459-0450)
 19267 Highway 301 North
 Statesboro, GA 30461
 USA

Phone: +1 (912) 489-0200
 Fax: +1 (912) 489-0294