



HTX01 WALL MOUNT



HTX02 DUCT MOUNT

Product Features

- *Low Cost*
- *On-Board Zero And Span Adjustments*
- *Rugged design using Solid State Sensors*
- *High Accuracy ($\pm 3\%$ over 0 to 90% RH Standard)*
- *2 Wire, Loop powered Operation (4-20 mA Output)*
- *Temperature Compensated Humidity Measurement*
- *Factory Calibrated (0 - 100% RH Standard, Custom Ranges Available)*
- *Integrated Loop powered Temperature Transmitter Available*

Description

The INTEMPCO HTX series humidity transmitters offer high accuracy, low cost humidity, and temperature measurement that can withstand tough industrial and HVAC applications. The rugged solid state sensor has high chemical contamination resistance and handles extreme ventilation conditions, like swimming pool environments, with ease. Even water immersion of the sensor will not damage it!

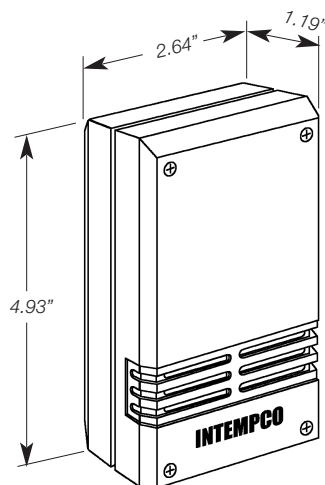
Overview

The HTX series humidity / temperature transmitters are designed for use in energy management, environmental and process control industries. They utilize a polymer based humidity sensor, among the most stable available. The accuracy is $\pm 3\%$ over 0 - 90% RH. Thermistor or RTD output option is also available.

Humidity Transmitter

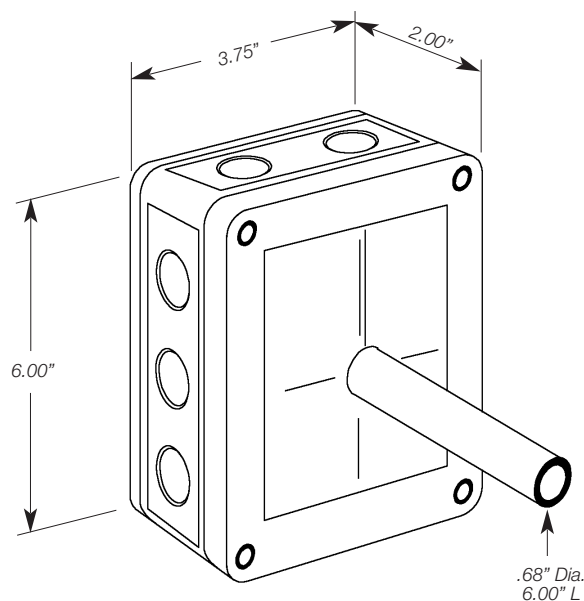
| | |
|------------------------------|---|
| Power Input | 12 - 36 VDC |
| Humidity Output | 4-20mA two-wire |
| Humidity Accuracy | ±3% RH Max. Over 0-90% RH at 25°C. |
| Humidity Stability | ±1% RH Typical at 50% RH in 5 Years. |
| Time Constant | 50 sec. in air at 10ft/sec. |
| Operating Environment | -23°C to 85°C (-10°F to 185°F) non-condensing |
| Storage Environment | -50°C to 85°C (-58°F to 185°F) non-condensing |
| Recommended R load | 100 ohm @12 VDC 500 ohm @ 24 VDC |

HTX01 WALL MOUNT

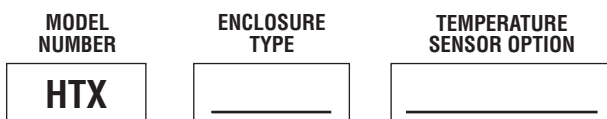


Temperature Transmitter

| | |
|------------------------------|--|
| Power Input | 12 - 36 VDC |
| Temperature Output | 4-20mA two-wire |
| Temperature Accuracy | ±0.3°C (0.5°F) at room Temp. or ±0.15°C (0.25°F) Special |
| Temperature Stability | ±0.1°C Typical at room Temp. per 5 years |
| Time Constant | 50 sec. in air at 10ft/sec. |
| Operating Environment | -23°C to 85°C (-10°F to 185°F) non-condensing |
| Storage Environment | -50°C to 85°C (-58°F to 185°F) non-condensing |
| Recommended R load | 100 ohm @12 VDC 500 ohm @ 24 VDC |



HTX02 DUCT MOUNT



| Enclosure Type | CODE |
|-----------------------|------|
| Wall Mount, Executive | 01 |
| Wall Mount, Space | 01A |
| Duct Mount, NEMA 4 | 02 |
| Duct Mount, General | 02A |

| CODE | Temperature Sensor Option |
|----------|---------------------------|
| 0 | None |
| A | 4-20mA, 0-50°C |
| B | 4-20mA, SPECIFY RANGE |
| C | Pt 100 ohm DIN 43760 |
| D | 1000 ohm DIN 43760 |
| E | 10,000 ohm THERMISTOR |
| F | 3,000 ohm THERMISTOR |
| G | THERMISTOR, OTHER SPECIFY |